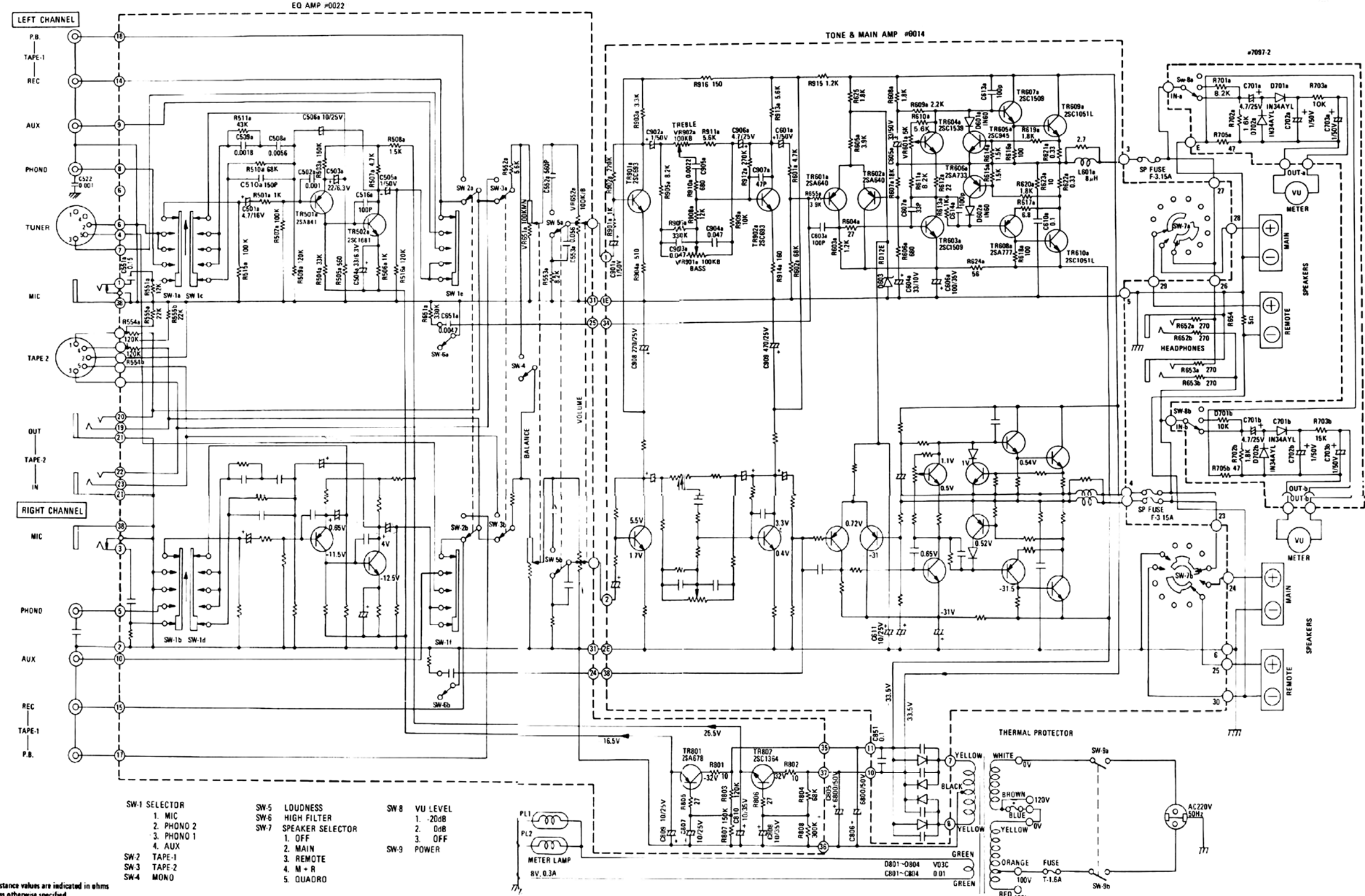
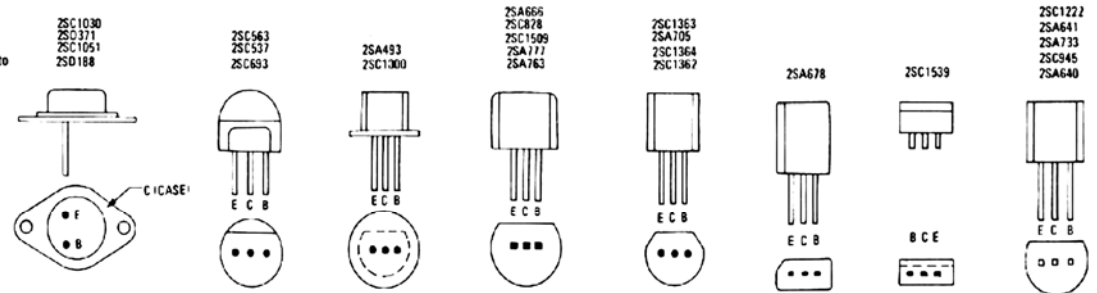


SCHEMATIC DIAGRAM



- SW-1 SELECTOR
1. MIC
2. PHONO 2
3. PHONO 1
4. AUX
SW-2 TAPE-1
SW-3 TAPE-2
SW-4 MONO
- SW-5 LOUDNESS
SW-6 HIGH FILTER
SW-7 SPEAKER SELECTOR
1. OFF
2. MAIN
3. REMOTE
4. M + R
5. QUADRO
- SW-8 VU LEVEL
1. -20dB
2. 0dB
3. OFF
SW-9 POWER

Note: 1. Resistance values are indicated in ohms unless otherwise specified (K=1,000 M=1,000,000).
2. Capacitance values are shown in microfarads unless otherwise noted (P=picro-microfarads).
3. Voltages are measured with respect to chassis ground in No signal.



SUBSTITUTE TRANSISTORS											
TR501 a, b	TR502 a, b	TR601 a, b	TR602 a, b	TR603 a, b	TR604 a, b	TR605 a, b	TR606 a, b	TR607 a, b	TR608 a, b	TR609 a, b	TR610 a, b
2SA841	2SC1681	2SA640	2SC1509	2SC1539	2SC945	2SA733	2SA777	2SC1051L	2SA678	2SC1364	2SC693
2SA640	2SC1362	2SA763	2SD426	NC/VE	2SC1364	2SA641	2SB560	2SD371	2SC945	2SC1681	2SC1222
2SA726	2SC1313	2SA726	2SD414		2SC536	2SA678		2SC1030	2SC536	2SC1222	2SC1313
2SA763	2SC1000	2SA841						2SC188			